

DESCRIPTION

AMC MODEL SWN-118-TRA-PE7134 IS A FORM, FIT AND FUNCTIONAL TRANSFER SWITCH DESIGNED TO OPERATE OVER THE FULL 1 TO 18 GHz FREQUENCY RANGE WITH LOW INSERTION LOSS AND HIGH ISOLATION PER SCD# PE7134.

SPECIFICATIONS

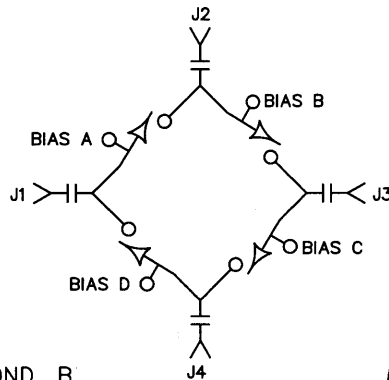
- FREQUENCY RANGE: 1 TO 18 GHz
- INSERTION LOSS: 3.1 dB MAXIMUM
- ISOLATION: 65 dB MINIMUM
- VSWR: 2.0:1
- RISE TIME: 10 nSec TYPICAL, 15 nSec MAXIMUM
- FALL TIME: 10 nSec TYPICAL, 15 nSec MAXIMUM
- DELAY ON: 75 nSec TYPICAL, 100 nSec MAXIMUM
- DELAY OFF: 75 nSec TYPICAL, 100 nSec MAXIMUM
- POWER WATTS: 0.5 MAXIMUM
- CONTROL:
 - TTL LOGIC 0: J1-J2, J3-J4 LOW LOSS
J1-J4, J2-J3 ISOLATION
 - TTL LOGIC 1: J1-J4, J2-J3 LOW LOSS
J1-J2, J3-J4 ISOLATION
- POWER SUPPLY: +5V ± 0.5V @ 80 mA MAXIMUM
-15V ± 3.0V @ 80 mA MAXIMUM
- CONNECTORS:
 - RF: SMA FEMALE
 - CONTROL: SOLDER PIN
- SIZE: 1.20" (L) x 1.20" (W) x 0.50" (H)

ENVIRONMENTAL RATINGS:

- TEMPERATURE: -55°C TO +85°C (OPERATING)
-65°C TO +125°C (STORAGE)
- HUMIDITY: MIL-STD-202F, METHOD 103B COND. B
- SHOCK: MIL-STD-202F, METHOD 213B COND. B
- VIBRATION: MIL-STD-202F, METHOD 204D COND. B
- ALTITUDE: MIL-STD-202F, METHOD 105C COND. B
- TEMPERATURE CYCLE: MIL-STD-202F, METHOD 107D COND. A

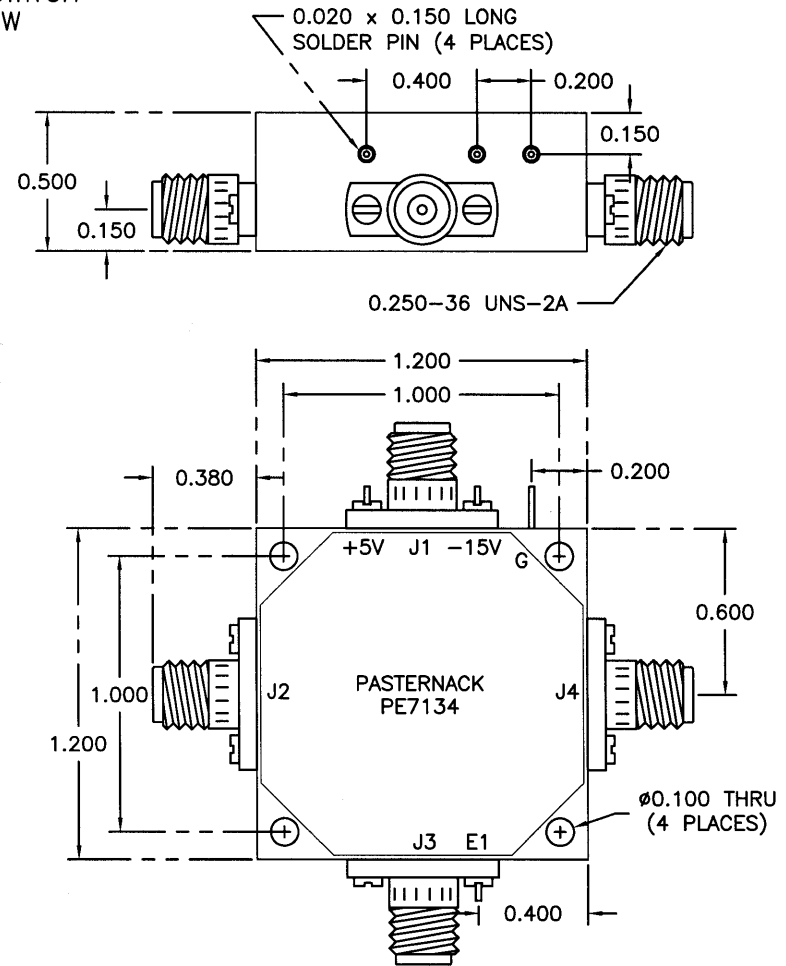
NOTE: SPECIFICATIONS WILL VARY OVER OPERATING TEMPERATURE
NOTE: THE ABOVE SPECIFICATIONS ARE SUBJECT TO CHANGE OR REVISION

BLOCK DIAGRAM



ALL DIMENSIONS ARE IN INCHES
TOLERANCES:
X.XX ±0.020
X.XXX ±0.010

REVISIONS				DATE	APPROVED
ZONE	REV.	DESCRIPTION			
-	-	ORIGINAL RELEASE JOB# 411289		8/1/05	



AMERICAN MICROWAVE CORPORATION

7311-G GROVE ROAD
FREDERICK, MARYLAND 21704 USA
TEL: 301-662-4700 FAX: 301-662-4938
WEBSITE: www.americanmicrowavecorp.com
E-MAIL: sales@americanmicrowavecorp.com
ISO 9001:2000 CERTIFIED



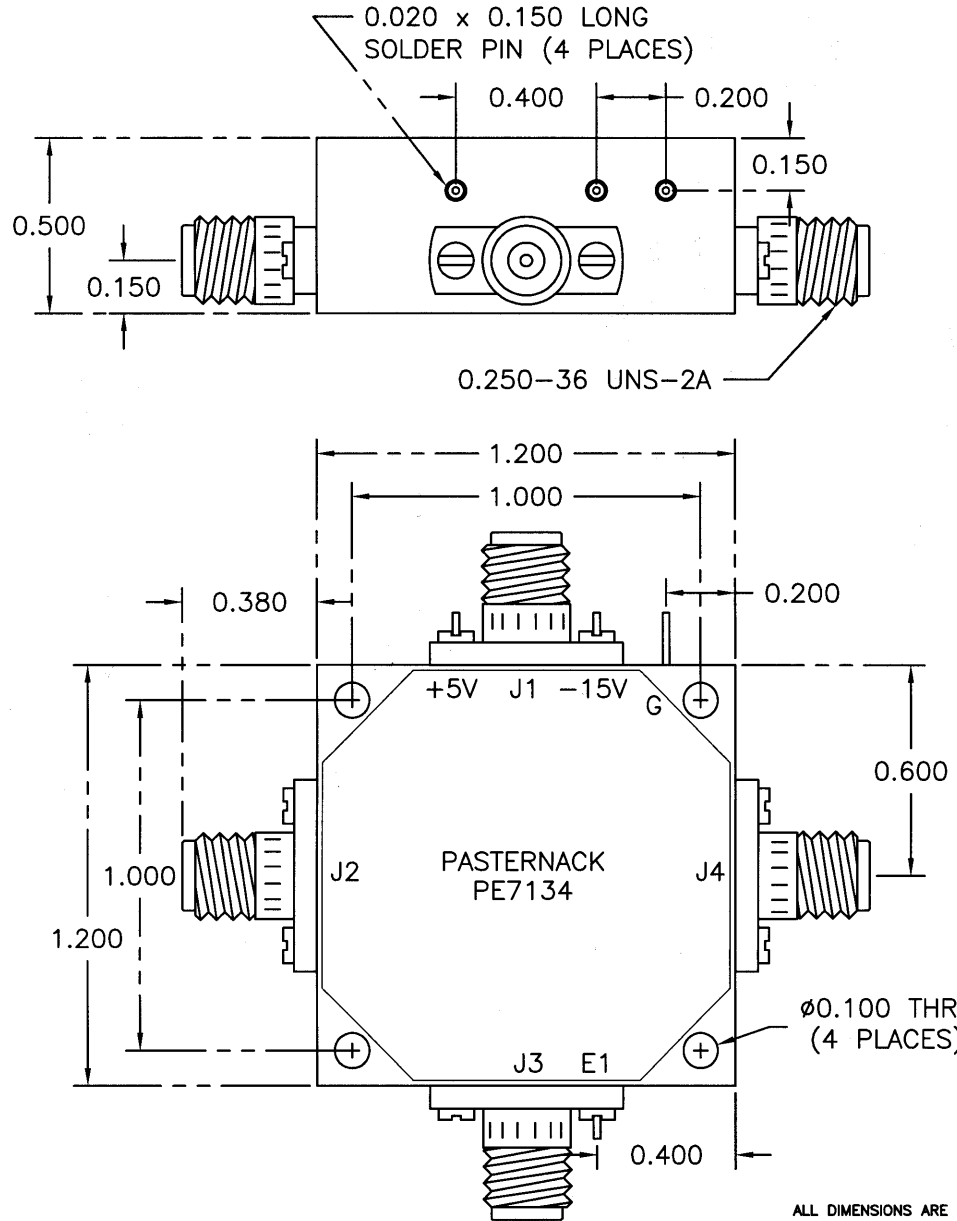
APPROVALS		DATE	TITLE			
DRAWN		8/1/05	PRODUCT FEATURE			
CHECKED			SWN-118-TRA-PE7134			
ISSUED			1 - 18 GHz TRANSFER SWITCH			
SIZE	FSCM NO.	DWG NO.				
A	60483	100-7348				
SCALE N:S			SHEET 1 OF 3			

DESCRIPTION

AMC MODEL SWN-118-TRA-PE7134 IS A FORM, FIT AND FUNCTIONAL TRANSFER SWITCH DESIGNED TO OPERATE OVER THE FULL 1 TO 18 GHz FREQUENCY RANGE WITH LOW INSERTION LOSS AND HIGH ISOLATION PER SCD# PE7134.

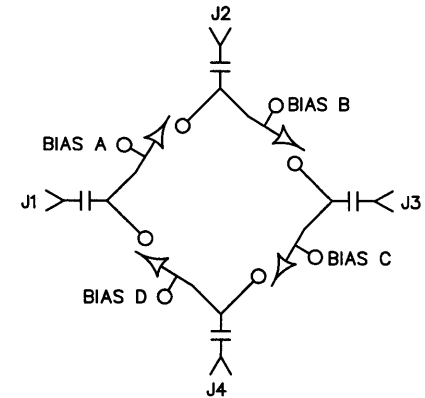
REVISIONS				
ZONE	REV.	DESCRIPTION	DATE	APPROVED
-	-	ORIGINAL RELEASE JOB# 411289	8/1/05	

MECHANICAL OUTLINE



ALL DIMENSIONS ARE IN INCHES
 TOLERANCES:
 X.XX ±0.020
 X.XXX ±0.010

BLOCK DIAGRAM



AMERICAN MICROWAVE CORPORATION

7311-G GROVE ROAD
 FREDERICK, MARYLAND 21704 USA
 TEL: 301-662-4700 FAX: 301-662-4938
 WEBSITE: www.americanmicrowavecorp.com
 E-MAIL: sales@americanmicrowavecorp.com
 ISO 9001:2000 CERTIFIED



APPROVALS		DATE	TITLE		
DRAWN <i>gdy</i>		8/1/05	MECHANICAL OUTLINE		
CHECKED			SWN-118-TRA-PE7134		
ISSUED			1 - 18 GHz TRANSFER SWITCH		
SIZE	FSCM NO.	DWG NO.	REV.		
A	60483	100-7348	-		
SCALE N:S		SHEET		2 OF 3	